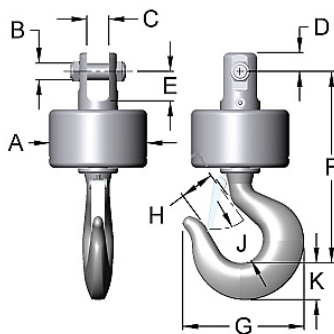


SWIVELS- g-LINK, OVERHAUL (ANGULAR CONTACT)



- Miller's **g-Link** overhaul swivels weigh 2 ½ to nearly four times as much standard swivels of the same type
- Adds overhaul weight without increasing overall length
- Ideal for small truck cranes and low head room applications where only minimal overhaul weight is required
- For 1.5 to 8.5 ton Working Loads
- Angular contact ball bearings for low torque swivel motion
- Machined from forged alloy steel bar
- Zinc plating inside and out for effective protection against corrosion.
- The g-Link is available with many of the other end fittings shown in this catalog. If you do not see your requirement in the following tables, please inquire.

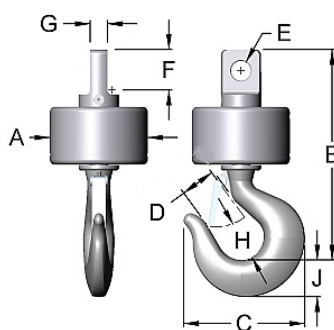
CLEVIS TO HOOK - TYPE 125



WLL* Tons	Model Number	Rope size	A	B	C	D	E	F	G	H	J	K	Weight Lbs.
1.5	B-125	3/8	4	0.5	0.5	.69	0.78	6.09	4.09	1.13	1.19	1.13	9
3	C-125	1/2	5	0.75	0.75	.94	1.19	8.38	4.94	1.34	1.38	1.48	17.94
5	D-125	5/8	7	0.88	1	1.13	1.56	12.63	6.5	1.69	1.75	1.81	43.81
8.5	EE-125	3/4	7	1.19	1.56	1.34	2.09	13.75	8.94	2.25	2.56	2.59	60

* Design factor 5:1

EYE TO HOOK - TYPE 225

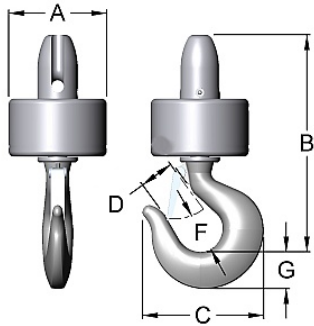


WLL* Tons	Model Number	Rope Size	A	B	C	D	E	F	G	H	J	Weight Lbs.
1.5	B-225	3/8	4	6.25	4.09	1.13	0.66	1.38	0.5	1.19	1.13	9
3	C-225	1/2	5	9.75	4.81	1.34	0.91	1.88	0.75	1.38	1.44	17.94
5	D-225	5/8	7	12.5	6.5	1.69	1.28	2.5	1	1.75	1.81	43.81
8.5	EE-225	3/4	7	13.5	8.69	2.25	1.41	3.13	1.25	2.56	2.59	60

* Design factor 5:1

SWIVELS- g-LINK, OVERHAUL (ANGULAR CONTACT)

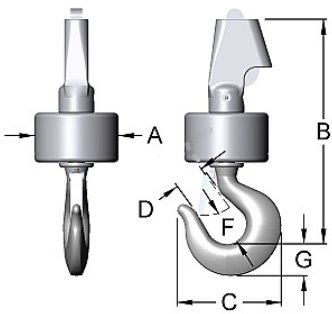
THIMBLE TO HOOK - TYPE 625



WLL* Tons	Model Number	Rope Size	A	B	C	D	F	G	Weight Lbs.
1.5	B-625	3/8	4	8.22	4.09	1.13	1.19	1.13	9.38
3	C-625	1/2	5	10.5	4.94	1.34	1.38	1.19	19.19
5	D-625	5/8	7	14.22	6.5	1.69	1.75	1.81	45.31
8.5	EE-625	3/4	7	15.5	8.69	2.25	2.19	2.59	56.25

* Design factor 5:1

WEDGE TO HOOK - TYPE 725



WLL* Tons	Model Number	Rope Size	A	B	C	D	F	G	Weight Lbs.
3	C-725	1/2	5	12.69	4.94	1.34	1.13	1.19	20.38
5	D-725	1/2, 5/8	7	17.19	6.5	1.69	1.75	1.81	47.88
8.5	EE-725	1/2, 5/8, 3/4	7	18.5	8.69	2.25	2.56	2.59	65.25

* Design factor 5:1