

## LOAD INSULATORS- ISO/LINK-DC

### Proven Performance in High-Current Environments

ISO/Link-DC insulators have been specially designed for use in the smelting industry. The high temperatures, frequent lifts and strong magnetic fields found in smelting environments were all taken into consideration during the development of this new addition to the ISO/Link Series. By incorporating a G-10 Fiberglass dielectric, the ISO/Link-DC can withstand continuous temperatures as high as 130°C. Every link is tested to 10,000 Volts DC and rated to 1,000 Volts DC.

Problems caused by frequent lifts and tip-loading have been addressed with rigid links, a self-leveling 3-bolt pattern design to eliminate parallelism problems and a link construction that allows regular inspection and maintenance at different levels on site. Complete refurbishment of older units or units under exceptional stress is also offered by Miller.

The unique ISO/Link-DC design takes such industry concerns seriously. That's already helped this link gain quick and enthusiastic acceptance in smelting and industrial welding companies around the world.

Because of its maintenance-oriented design, the ISO/Link-DC is not weatherproof and **must not be used outside.**



### ISO/Link-DC

#### Features

- Rated to 1,000 Volts DC
- Bolts replaceable on site
- Factory refurbishing available
- Withstands continuous heat up to 130°C
- Not compromised by magnetic fields
- Replaceable polyurethane bumpers designed to take brunt of routine impacts
- Rigid link and interposing plate structure for utmost reliability
- Mechanical design factor > 5:1

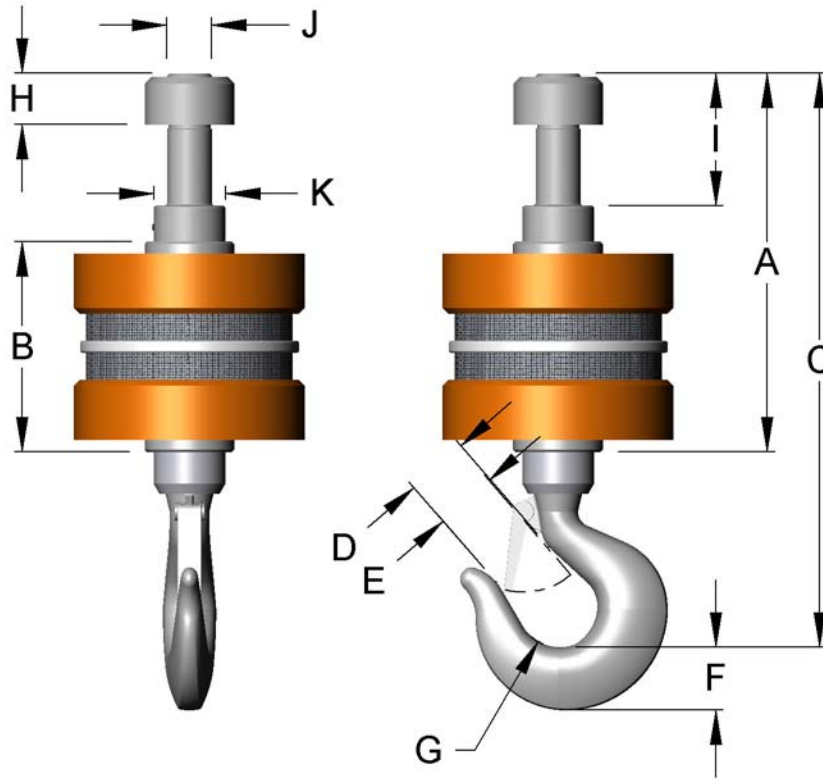
#### Applications

- Aluminum Smelting
- Transition Metal Reduction
- Industrial Welding

	ISO/LINK-AC™	ISO/LINK-DC™
<b>Rating</b>	33,000 VAC	1,000 VDC
<b>Application</b>	Utilities, High Voltage Test Labs, Crane mfg.	Aluminum Smelters, Base & Transition Metal Reduction Plants
<b>Construction</b>	Cast Polyurethane (Proprietary Process) Interlocking, Fail-Safe Plate Arrangement (All Weather Products)	G-10 Fiberglass Interlocking, Fail-Safe Plate Arrangement (Not For Outside Use)
<b>Comments</b>	Sealed Construction Prevents Moisture & Contaminant Absorption Insuring Insulation Integrity	Inspectable, Repairable High Temperature Range

# LOAD INSULATORS- ISO/LINK-DC

## NON-SWIVELING STUD TO HOOK - TYPE 14

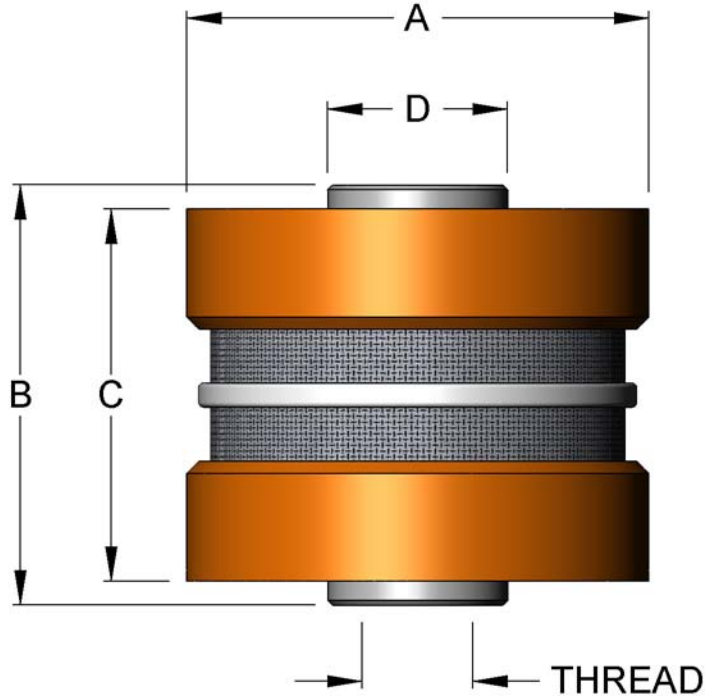


WLL* Tons	Model Number	A	B	C	D	E	F	G	H	I	J	K
5	MLV8-14-5	14.88	8.75	23.31	2.50	2.25	2.59	8.68	1.43	4.62	1.25-7	3
10	MLV8-14-10	13.63	8.75	22.06	2.50	2.25	2.59	8.68	1.31	3.37	1.62-12	3
15	MLV12-14-15	17.18	10.5	27.06	3.37	3	3	11.00	1.56	4.18	1.77-12	4
25	MLV12-14-25	18.31	10.5	30.06	4.00	3.62	3.65	13.62	2.56	5.31	2.25-12	4
35	MLV12.5-14-35	21.43	12.25	33.12	4.25	3.75	4.56	14.06	2.68	6.18	2.5-12	4.75
60	MLV12.5-14-60	26.75	12.25	42.25	5.75	5.12	6	18.50	3.5	14.50	4.00-10	4.5

\* Design factor = 5:1

## LOAD INSULATORS- ISO/LINK-DC

### LINK ONLY



WLL* Tons	Model Number	A	B	C	D	THREAD	Weight Lbs.
10	V1000E	10.00	8.75	7.75	3.75	2.50-8UN	90
25	V1000G	13.30	10.5	8.75	4.50	3.25-8UN	170
60	V1000JJ	12.38	12.25	10.2	5.75	4.00-12UN	225

\* Design factor 5:1 (Link only)

SPARE BUMBERS FOR ISO\LINK-DC INSULATING LINKS		
Each kit includes upper and lower bumper halves plus hardware		
ISO\Link-DC Model	Bumper Kit Part No.	Weight (lbs)
V1000E	M237000007	4
V1000G	M237000016	6
V1000JJ	M237000037	7